

Smoke Detector – Wired Manual

Model: SDWRD-4W



We extend a warm welcome to you on becoming a part of the Copper Connections family. Our service support Engineers shall be working hard through our channel partners to ensure your satisfaction with the product and after sales services.

We welcome your feedback / query at service@copperconnections.com

Features

Photoelectric Detector

Detects smoke whether from a fire or a Cigarette.

Manual Test & Reset

A push switch marked as “TEST” is provided for easy testing of the Sensor. The same switch resets the sensor when smoke is detected.

Metal Shield for immunity from High Frequencies

The sensor will not give false alarms in case of high frequencies present in the area.

Sensitivity Adjustment

Open the detector: Preset at extreme anti-clockwise position= Minimum Sensitivity

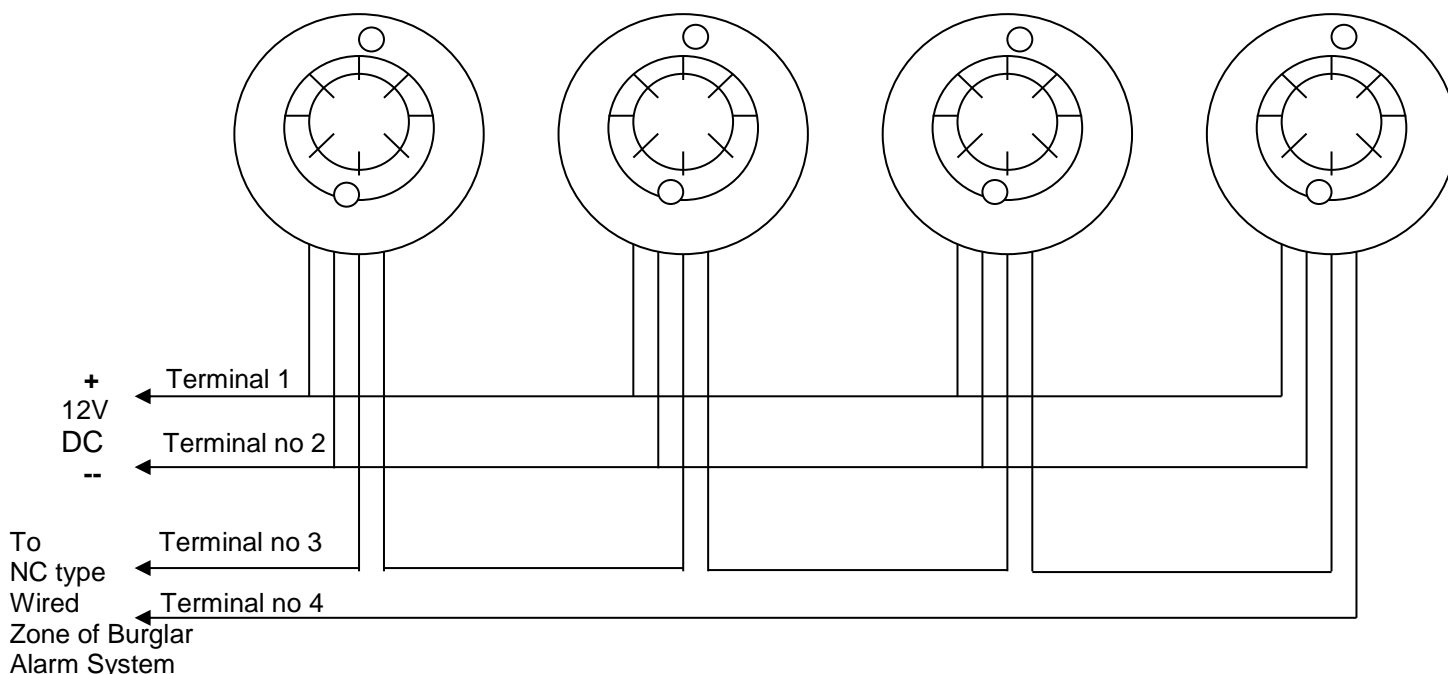
Preset at extreme clockwise position= Maximum Sensitivity

Installation

- Slide open the bracket from the back of the sensor.
- Fix the bracket on Ceiling with 2 screws.
- Install it in the center of the detecting area. The sensor will detect smoke within 2.5 meter radius.
- Do the connections as below:
 - Terminal no 1 to +12V DC supply
 - Terminal no 2 to – ve of 12V DC Supply
 - Terminal no 3 & 4 to NC (Normally Closed) type of wired Zone of the Burglar Alarm System.

4 Wire Connections with NC Type Wired Zone

Set jumper located at the back of the sensor to “NC”



Precautions:

- Do not install it in windy surroundings or in dusty surroundings.
- Clean the Sensor slots openings every 6 months.
- Test the Sensor every 3 months by pressing the TEST switch. If defective, replace or get it repaired.

Technical Specifications

Power Input	12V DC
Standby current	8 mA
Alarm current	35 mA
Operating Temperature	-10°C to +50°C
Operating Humidity	95% RH Maximum
Alarm Output	Both NO or NC contacts available
Detecting Area	20 Square mtr
Dimensions	112 mm diameter & 41 mm Height

Terms of Warranty

Copper Connections Pvt. Ltd warrants that this product is manufactured under stringent quality standards, making it free from defects in material and workmanship, as per the following terms and conditions:

1. The limited warranty for the system is valid for a period of twelve months from the date of purchase or fifteen months from the date of manufacture which ever is earlier.
2. The limited warranty extends only to the original consumer/ purchaser of the product and is not assignable or transferable to any subsequent purchaser/ end user.
3. During the limited warranty period, Copper Connections Pvt. Ltd or its authorised service network will repair or replace, at Copper Connections Pvt. Ltd option, any defective product or parts thereof with a new or factory rebuild replacement items and return the product to the consumer in working conditions. No charge will be made to the consumer for either parts or labour in repairing or replacing the product. All replaced parts shall become the property of Copper Connections Pvt. Ltd.
4. Repaired product will be warranted for a balance of original warranty period.
5. Upon request from Copper Connections Pvt. Ltd or its authorised service centre, the consumer must provide purchase receipt or other information to prove the date and place of purchase.
6. This Burglar Alarm System (like any other commercial or residential alarm system) does not guarantee protection against burglary, fire or other emergency because of variety of reasons.
A properly installed and maintained system may reduce the risk of a burglary, robbery, fire or other events, but it is not an insurance or a guarantee that such will not occur or that there will be no personal injury or property loss as a result.
7. In no case shall seller be liable to anyone for any consequential or incidental damages for breach of this warranty, even if the loss or damage is caused by the seller's own negligence or fault. Consequently, seller shall have no liability for any personal injury, property damage or other loss based on a claim "The product failed to give warning / alarm". However, if seller is held liable, whether directly or indirectly, for any loss or damage arising under this warranty or otherwise regardless of cause, seller's maximum liability shall not in any case exceed the purchase price of the product.
8. The consumer shall have no benefit or coverage if any of the following conditions are applicable:
 - a) The product has been subjected to abnormal use, abnormal condition, improper storage, exposure to excessive temperature, moisture, dampness or fire etc., unauthorised modifications, unauthorised connections, unauthorised repairs.
 - b) Copper Connections Pvt. Ltd was not notified by consumer of the alleged defect or malfunction of the product during the limited warranty period.
 - c) The product was used with or connected to equipment not fit for use with Copper Connections Pvt. Ltd system or used in other than its intended use.
- d) INCASE HIGH VOLTAGES APPEAR ON EARTH.**
- e) THE DAMAGE IS CAUSED BY LIGHTENING OR DUE TO SPIKES/ SURGES/ HIGH VOLTAGES FROM AC MAIN SUPPLY.**
9. The consumer may contact the authorised dealer to call the service personnel for carrying out repairs or maintenance and the same would be attended within a reasonable response time assigned to the dealer. The consumer will be billed for parts or labour charges not covered by this limited warranty.
10. **The consumer will be billed for parts or labour charges not covered by this limited warranty.**
11. If the product is brought to Copper Connections Pvt. Ltd for repairs, after the warranty period, Copper Connections Pvt. Ltd normal service policy shall apply and customer shall be charged accordingly.
12. In no event shall Copper Connections Pvt. Ltd or their authorised dealer be liable for special or consequential damages or any delay in the performance of this warranty due to causes beyond their control. Copper Connections Pvt. Ltd shall not be liable for incidental or consequential damage or a loss of anticipated benefits or profits, loss or impairment of privacy of conversation, work stoppage or loss or impairment of data arising out of the use or inability to use the product. Company's liability in no event and under no circumstances shall exceed the price paid to the company for goods stated in the invoice.
13. Copper Connections Pvt. Ltd neither assumes nor authorises any authorised service centre or any person or entity to assume for it any other obligation or liability beyond what is expressly provided by this limited warranty. All warranty information, product features and specifications are subject to change without prior notice.
14. Any dispute arising out of this warranty shall be subjected to jurisdiction of the arbitrator within the city of Delhi.
15. The decision of Copper Connections Pvt. Ltd on defects, damages etc shall be final and binding on the parties and no dispute regarding this, could be agitated before any civil court.

Version: SDWRD-6

An ISO:9001:2008 Certified Company

Copper Connections Pvt. Ltd

195-196, DSIDC Complex, Okhla Industrial Area, Ph-1, New Delhi-110020. Ph: +91-11-40625555

www.copperconnections.com